



# ACTIMO® XL

Standard Seat with  
Automatic Positioning System



# TECHNICAL DATA

## ACTIMO® XL

Equipped with an automatic positioning system and an adjustable shock absorber, the Actimo XL with pneumatic suspension delivers excellent comfort. Automatic weight adjustment eliminates the time-consuming business of setting the seat to the driver's weight – an important benefit when machines are used by multiple operators.



Pneumatic suspension



Pneumatic Lumbar Support



Adjustable Shock Absorber



Automatic Positioning System



Automatic Weight Adjustment



Fore/aft Isolator



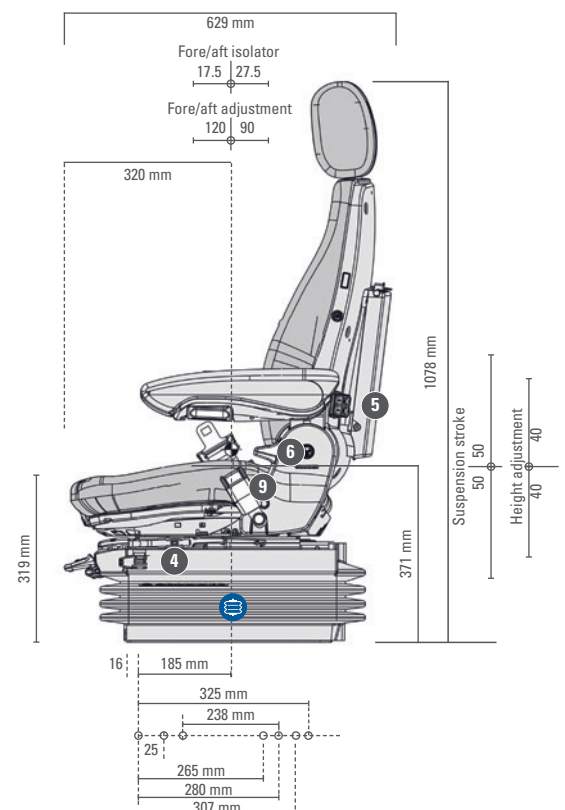
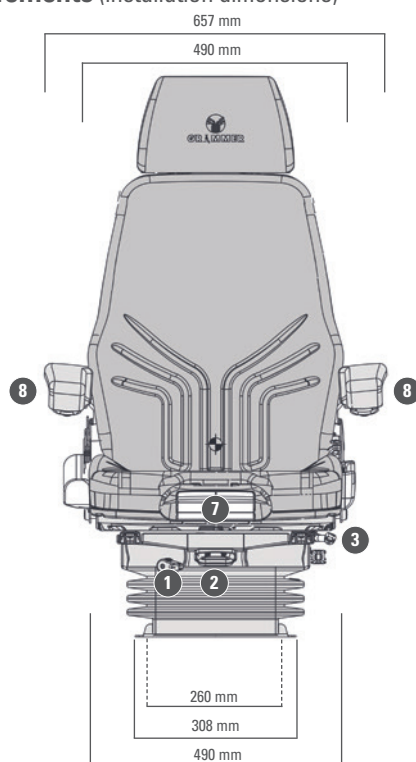
Passive Climate System

**Features** ● Standard ○ Optional

	ACTIMO® XL
Article no. fabric	
Compressor 12V	1294557
Compressor 24V	1294562
① Shock absorber adjustable	●
④ Suspension	●
Pneumatic suspension with compressor	●
Suspension stroke 100 mm	●
Weight adjustment 50 - 130 kg, automatic	●
② Height adjustment 80 mm infinite (air-assisted)	●
Climate system passiv	●
③ Fore/aft adjustment 210 mm	●
④ Fore/aft isolator lockable	●
⑤ Lumbar support pneumatic	●

	ACTIMO® XL
⑥ Adjustable backrest angle	●
Seat cushion width	490 mm
⑦ Adjustable seat cushion depth and angle	●
<b>OPTIONAL FEATURES</b>	
⑧ Armrests, height-adjustable and foldable	
65 mm x 270 mm	○
80 mm x 320 mm, adjustable angle	○
80 mm x 380 mm, adjustable angle	○
Operator presence switch (OPS)	○
Seat heating	○
⑨ Restraint system	○
Control carrier consoles	○

### Measurements (installation dimensions)



All dimensions in mm.  
Subject to technical changes.